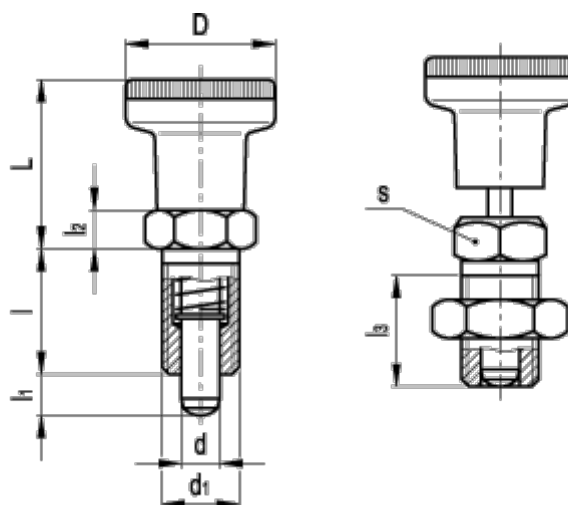


# Data Sheet



Article number: 2308051512  
Description: E+G Index plunger  
PMT.100-10-M20x1.5-A

## Measures



Code = PMT.100-10-M20x1,5-A	l3	= 30
D = 31	Max. axial load (N)	= 45
d = 10	s	= 22
d1 = M20x1.5		
l = 33		
L = 37		
l1 = 10		
l2 = 10		